

# Datasheet

## EvoLock® electronic handle for DESFire



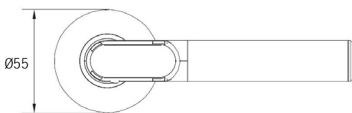
EvoLock® electronic handle for DESFire

Technical data	
Power supply	1 battery CR 123A 3V
Battery life cycle	Typical 2-3 years
Low-Power opening	Battery exchange accessible from outside
Wiring required	No
Operating temperature	Indoor version: +5°C to +55°C Outdoor version: -25°C to +65°C
Storage temperature	-40°C to +65°C
Functions	
Automatic activation of handle electronics when scanning a card/tag	Yes
Engagement time	Programmable from 1 to 15 seconds
Actuation time	Programmable from 1 to 15 seconds
Identification by passive transponder in the card/tag	Yes (without power supply)
Specifications	
Measurements	Width of handle: 140 mm Depth of handle: 63/64mm Depth of rosette: 13/17mm
Diameter/height of the handle	22 mm
Diameter of mounting rosette	55 mm (standard)
Material	Stainless steel
Material: Antenna area	Hard plastic
Mounting	Indoor or outdoor application. For outdoor application, the ambient conditions must be verified.
Types	
EvoLock transponder versions	DESFire offline
EvoLock electronic handle versions	EvoLock for DIN profile doors EvoLock for Scandinavian doors
EvoLock lever directions	Left and Right
Mifare offline specifications	
Administration	Configuration card, event card and blacklist card
Transmit frequency	13.56 MHz DESFire-NFC card reader
Customizable access group authorization	Yes
Events logged in the handle	Up to 424
Number of authorizations programmable	Unlimited*
Control access with time schedules and card validation	Yes*

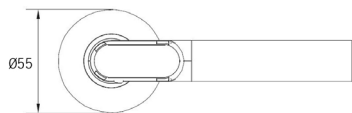
\* Depending on the software version of system

DIN-profile door specifications	
Included in package	EvoLock electronic handle, spindle, indoor handle, screws
Mounting screws dimension	M5, length depending on door thickness
Centre distance mounting screws	38 mm horizontal
Indoor handle	Included in package
Scandinavian door for oval cylinder specifications	
Included in package	EvoLock electronic handle, spindle, rosette adapter, screws
Mounting screws dimension	M5, length depending on door thickness
Centre distance mounting screws	30 mm (30° from horizontal)
Indoor handle	Re-use existing or buy extra as spare part

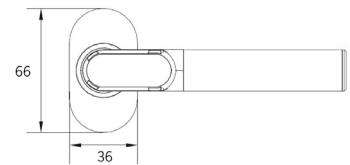
**EvoLock® for scandinavian doors:**



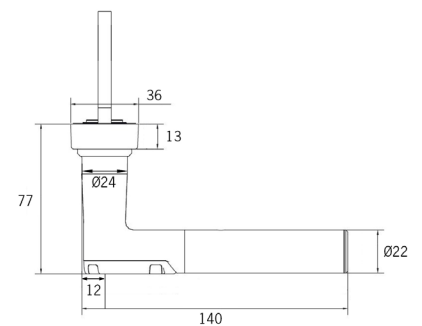
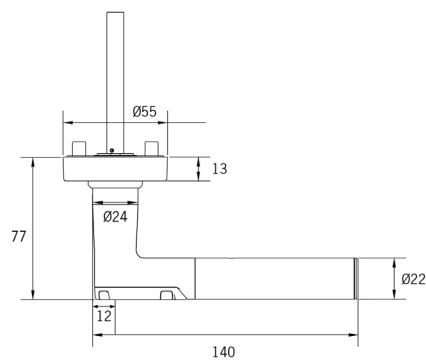
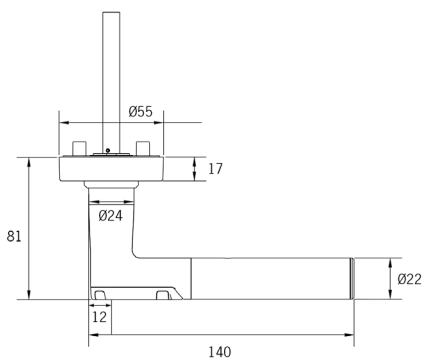
**EvoLock® for DIN profile doors:**



**EvoLock® oval rosette:**



Dimensions:



Drilling distance:

